



Royal Industrial Suppliers

Quality Fasteners Specialist

No. 4, M.G.S. Complex, Benki Nawab Street, S.P. Road Cross, Bangalore 560002

An ISO 9001:2015 Certified Co



8310165941 / 9008782885



sales@royalfastenersindia.com

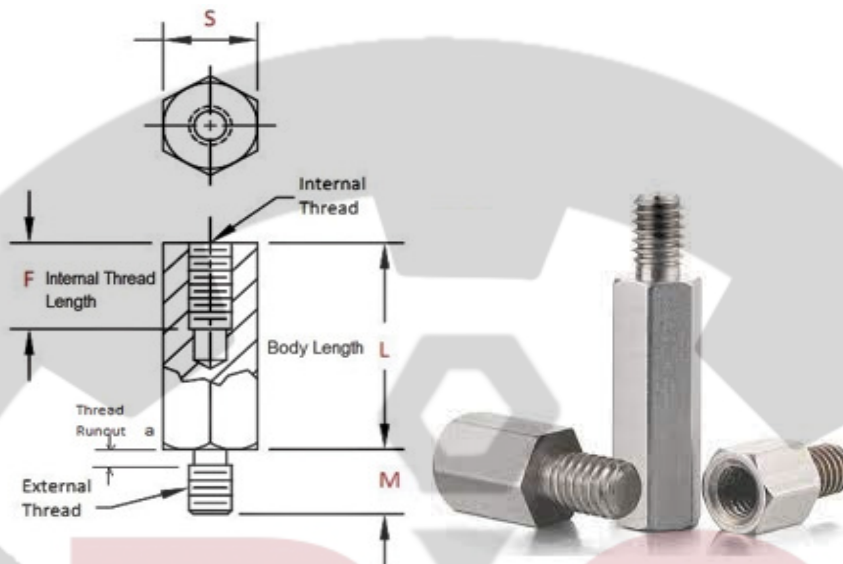


www.royalfastenersindia.com

HEX STANDOFF MF – (E.T. SPACER)

CATALOGUE NUMBER: **R6D55**

SS 316 - A4



Parameter ↓	Size →	M2x0.4	M2.5x0.45	M3x0.5	M3x0.5 ALT	M4x0.7	M5x0.8
Ext Thread M		6.00	6.00	6.00	12.00	6.00	7.00
A/F (S)	Max	5.00	5.00	5.00	5.00	7.00	7.00
	Min	4.78	4.78	4.78	4.78	6.73	6.73
Ext Thread Runout a		1.60	1.80	2.00	2.00	2.80	3.20
Int Thread F	Max	10.00	10.00	10.00	11.00	11.00	11.00
	Nom	L-1.5mm Max 6mm	L-1.5mm Max 6mm	L-1.5mm Max 8mm	L-1.5mm Max 8mm	L-1.5mm Max 8mm	L-1.5mm Max 10mm

Note: Internal Thread Length will be approx 1.5mm lesser than body length.

Send your Orders / Enquiries along with the following Item Codes

All Dimensions are in MM

Length ↓	Size →	M2x0.4	M2.5x0.45	M3x0.5	M3x0.5 ALT	M4x0.7	M5x0.8
4		R6D5502004	R6D5520504	R6D5503004	R6D5503104		
5		R6D5502005	R6D5520505	R6D5503005	R6D5503105		
6		R6D5502006	R6D5520506	R6D5503006	R6D5503106	R6D5504006	
8		R6D5502008	R6D5520508	R6D5503008	R6D5503108	R6D5504008	R6D5505008
10		R6D5502010	R6D5520510	R6D5503010	R6D5503110	R6D5504010	R6D5505010
12		R6D5502012	R6D5520512	R6D5503012	R6D5503112	R6D5504012	R6D5505012
15		R6D5502015	R6D5520515	R6D5503015	R6D5503115	R6D5504015	R6D5505015
18		R6D5502018	R6D5520518	R6D5503018	R6D5503118	R6D5504018	R6D5505018
20		R6D5502020	R6D5520520	R6D5503020	R6D5503120	R6D5504020	R6D5505020
25		R6D5502025	R6D5520525	R6D5503025	R6D5503125	R6D5504025	R6D5505025
30			R6D5520530	R6D5503030	R6D5503130	R6D5504030	R6D5505030
35				R6D5503035	R6D5503135	R6D5504035	R6D5505035
40				R6D5503040	R6D5503140	R6D5504040	R6D5505040
45				R6D5503045	R6D5503145	R6D5504045	R6D5505045
50				R6D5503050	R6D5503150	R6D5504050	R6D5505050

Sizes in BLUE are non-preferred. Availability is limited and MOQ is higher.

Data is strictly informative

Note: All Austenitic Stainless Steel Fasteners may exhibit some Magnetic Properties due to the Manufacturing Process.

Refer: ISO 3506-2 Annex F